

→
REF. HZ-3705
ELECTRIC BEAUTY BED



TECHNICAL FEATURES



Length:	182 cm
Width	
With armrest:	72 cm
Without armrest:	56 cm
Height:	63-85 cm
Weight:	75 kg
Max. Load:	150 kg
Motors:	1
Upholstery:	PU ○

CERTIFICATIONS



- 2014/30/EU Electromagnetic Compatibility
- 2014/35/EU Low Voltage Directive

MOTOR FUNCTIONS



- Height (flat position): 63-85 cm

MANUAL FUNCTIONS



- Backrest 80° inclination (by gas lift activated by foot lever)
- Seat inclination (by gas lift activated by foot lever)
- Footrest 90° inclination (by friction mechanism)
- Extendable headrest

INCLUDES



- Hand controller
- Hole Headrest

ACCESSORIES



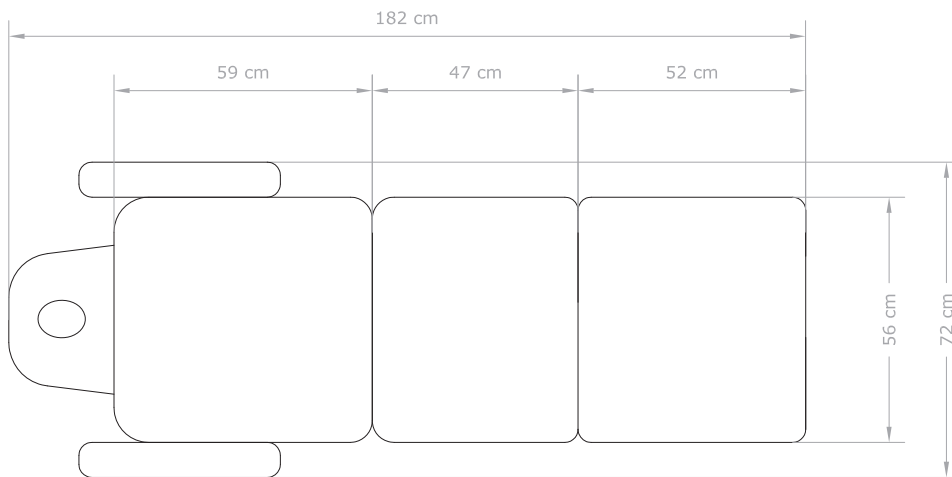
- NEB 1 Foot controller
- Bed Cover
- FULU paper roll holder

Fom

→
TECHNICAL DATA SHEET

vibbel

→
REF. HZ-3705
ELECTRIC BEAUTY BED



KG 150 kg
max

