

→  
REF. HZ-3329E  
ELECTRIC MASSAGE BED



## TECHNICAL FEATURES



Length:	195 cm
Width:	70 cm
Height:	54-85 cm
Weight:	50 kg
Max. Load:	200 kg
Motors:	1
Upholstery:	PVC ○

## CERTIFICATIONS



- 2014/30/EU Electromagnetic Compatibility
- 2014/35/EU Low Voltage Directive

## MOTOR FUNCTIONS



- Height (flat position): 54-85 cm

## MANUAL FUNCTIONS



- Backrest 60° inclination (by gas lift)

## INCLUDES



- Hand controller
- Facial hole
- Paper roll holder
- Headrest cushion

## ACCESSORIES



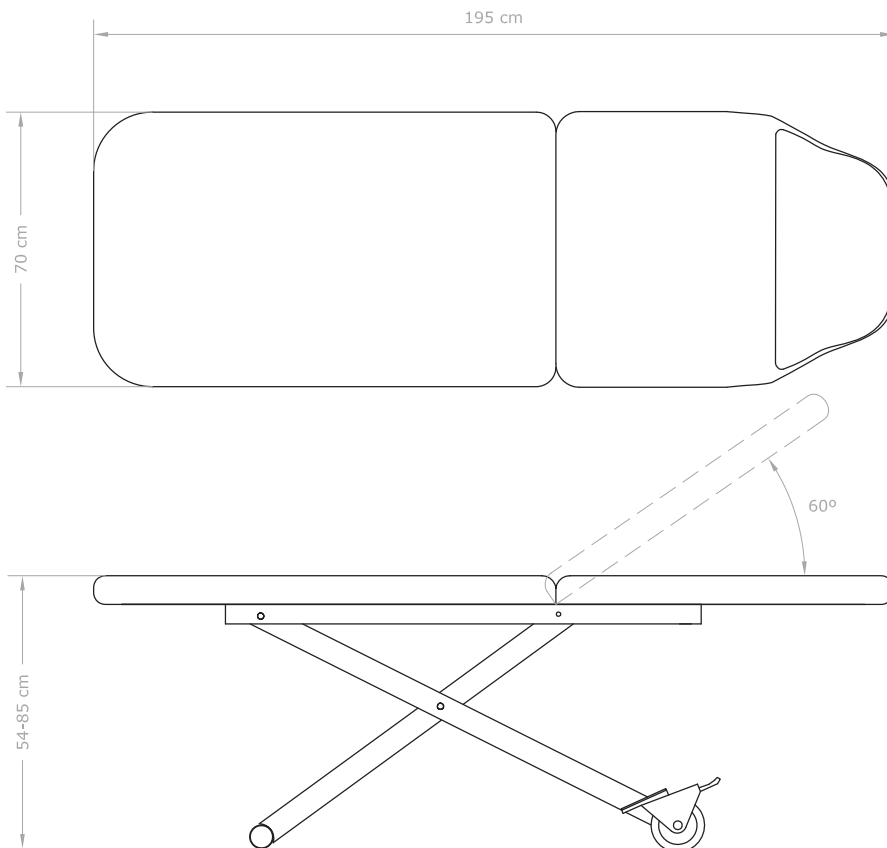
- NEB 1 Foot controller
- Bed Cover

# Heka

→  
TECHNICAL DATA SHEET

sonia®  
BEAUTY CONCEPT

→  
REF. HZ-3329E  
ELECTRIC MASSAGE BED



200 kg

DDUUEETT®

C Font de la Ventaiola, 1-3 · NAU 3 BIS  
08670 Navàs · Barcelona  
T +34 937378102  
www.dduueett.com