

→
REF. HZ-3329E
ELECTRIC MASSAGE BED



TECHNICAL FEATURES



Length:	195 cm
Width:	70 cm
Height:	54-85 cm
Foam thickness:	7,5 cm
Weight:	50 kg
Max. Load:	200 kg
Motors:	1
Upholstery:	PVC ○

CERTIFICATIONS



- 2014/30/EU Electromagnetic Compatibility
- 2014/35/EU Low Voltage Directive

MOTOR FUNCTIONS



- Height (flat position): 54-85 cm

MANUAL FUNCTIONS



- Backrest 60° inclination (by gas lift)

INCLUDES



- Hand controller
- Facial hole
- Paper roll holder
- Headrest cushion

ACCESORIES



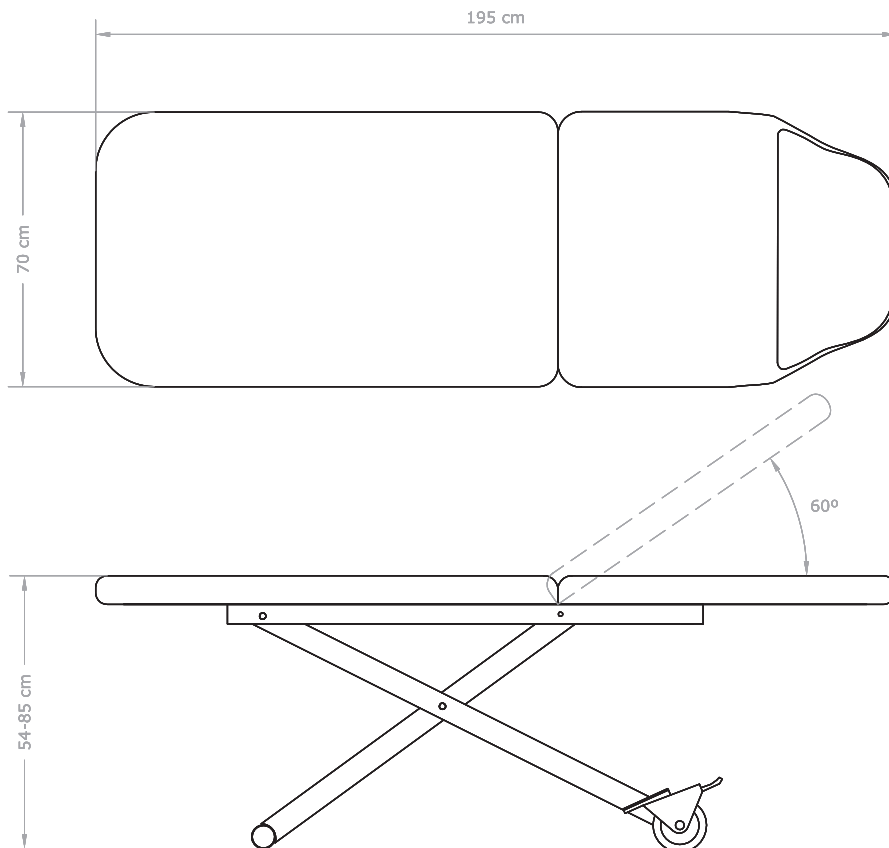
- NEB 1 Foot controller
- Bed Cover

Heka

→
TECHNICAL DATA SHEET

vibbel

→
REF. HZ-3329E
ELECTRIC MASSAGE BED



200 kg