

→
REF. HZ-3361A-1
LUXURY SPA BED



TECHNICAL FEATURES



Length:	207 cm
Width:	87 cm
Height:	66-84 cm
Thickness:	15 cm
Weight:	147 kg
Max. Load:	200 kg
Power:	1000 W
Frequency:	50/60 Hz
Voltage:	220-240 V
Motors:	4
Upholstery:	PU ○
Wood:	○

CERTIFICATIONS



- 2014/30/EU Electromagnetic Compatibility
- 2014/35/EU Low Voltage Directive

MOTOR FUNCTIONS



- Height with 2 motors (flat position): 66-84 cm
- Backrest 70° inclination
- Footrest inclination

MANUAL FUNCTIONS



- Adjustable armrest

INCLUDES



- Heating
- LED light
- Hand controller
- Breather hole
- Wardrobe with 2 sliding doors
- Water cushions

ACCESORIES



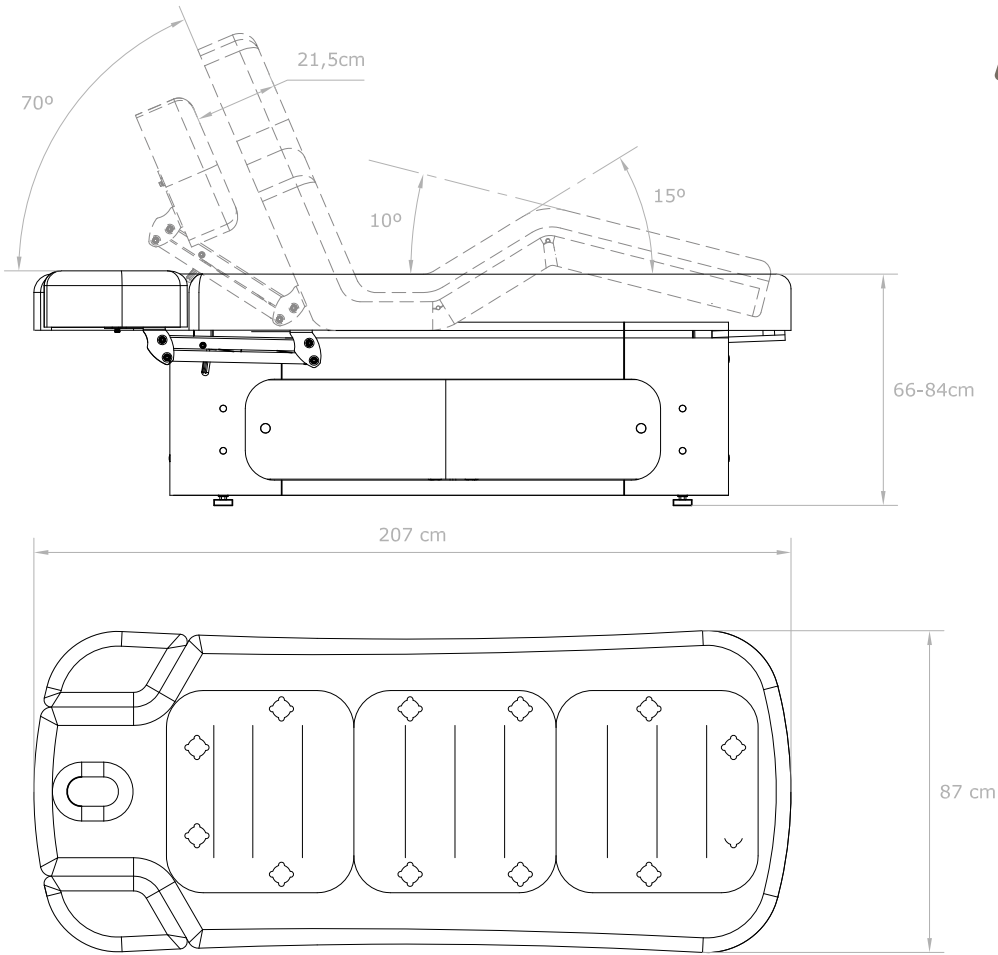
- Bed Cover

Kella

→
TECHNICAL DATA SHEET

sonia®
BEAUTY CONCEPT

→
REF. HZ-3361A-1
LUXURY SPA BED



KG 200 kg
max