

Alia Warm

→
TECHNICAL DATA SHEET

sonia®
BEAUTY CONCEPT

→
REF. HZ-3878-H
ELECTRIC BEAUTY
BED WITH HEATING



TECHNICAL FEATURES



Length:	183 cm
Width	
With armrest:	91 cm
Without armrest:	60 cm
Height:	63-86 cm
Weight:	88 kg
Max. Load:	200 kg
Motors:	5
Upholstery:	PU ○

CERTIFICATIONS



- 2014/30/EU Electromagnetic Compatibility
- 2014/35/EU Low Voltage Directive

MOTOR FUNCTIONS



- Height (flat position): 63-86 cm
- Seat 30° inclination
- Backrest 80° inclination
- Footrest 80° inclination
- Seat 8 cm extendable

MANUAL FUNCTIONS



- Headrest inclination and ±18 cm extendable
- Footrest, ±18 cm extendable

INCLUDES



- Hand controller
- Heating
- Integrated buttons on the bed to control all motor movements
- 3 memory positions
- Full movement headrest
- Hole Headrest

ACCESORIES



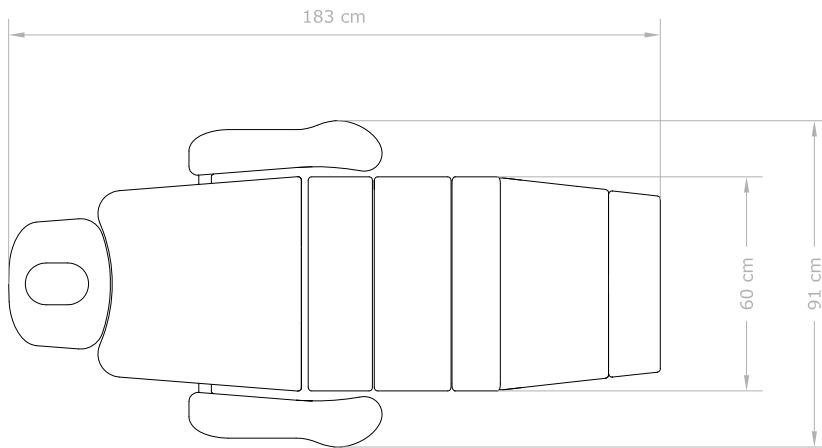
- NEB 5 Foot Controller (on development)
- Bed Cover

Alia Warm

→
TECHNICAL DATA SHEET

sonia®
BEAUTY CONCEPT

→
REF. HZ-3878-H
ELECTRIC BEAUTY
BED WITH HEATING



KG 200 kg
max

