

→  
REF. ELO3E  
ELECTRIC TREATMENT TABLE



## TECHNICAL FEATURES



3-section table

Length:	195 cm
Width:	66 cm
Height:	48-93 cm
Weight:	64 kg
Max. Load:	250 kg
Motors:	1
Foam thickness:	5 cm
Density:	36 kg/m <sup>3</sup>
Upholstery:	PVC ●●

## MOTOR FUNCTIONS



- Height (flat position): 48-93 cm

## MANUAL FUNCTIONS



- Backrest (-40° to +65°) inclination by gas lift
- Footrest (-40° to +65°) inclination by gas lift

## INCLUDES



- Peripheral switch for height
- Breather hole
- 4 retractable big wheels system for easier movement
- Paper roll holder

## CERTIFICATIONS



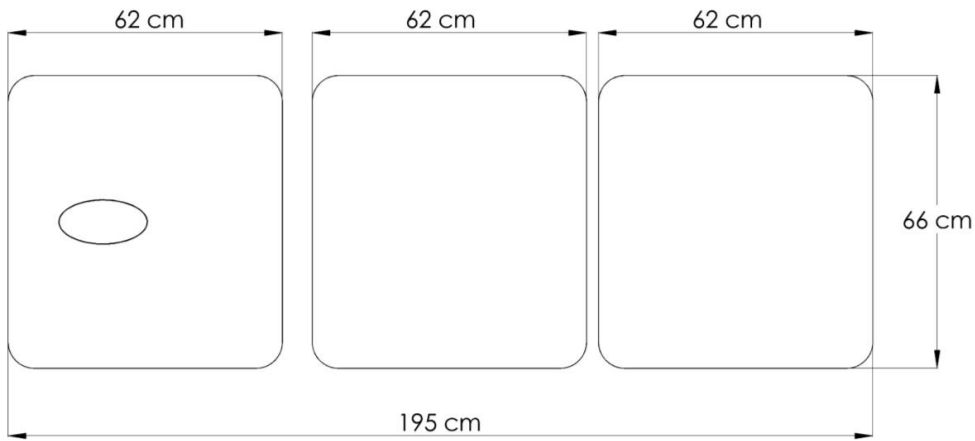
- Class I Medical Device. European regulation of medical devices (EU) 2017/745

# Dyna

→  
TECHNICAL DATA SHEET

CONFY CARE

→  
REF. ELO3E  
ELECTRIC TREATMENT TABLE



 **KG**  
max 250 kg

