

→
REF. ELO3E
ELECTRIC TREATMENT TABLE



TECHNICAL FEATURES



3-section table

Length:	195 cm
Width:	66 cm
Height:	47,5-91,5 cm
Weight:	64 kg
Max. Load:	250 kg
Motors:	1
Foam thickness:	5 cm
Density:	36 kg/m ³
Upholstery:	PVC ●●

MOTOR FUNCTIONS



- Height (flat position): 47,5-91,5 cm

MANUAL FUNCTIONS



- Backrest (-40° to +65°) inclination by gas lift
- Footrest (-40° to +65°) inclination by gas lift

INCLUDES



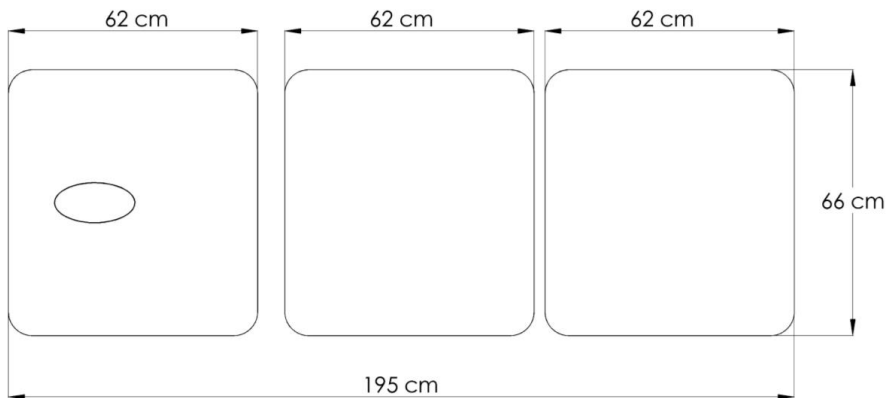
- Peripheral switch for height
- Breather hole
- 4 retractable big wheels system for easier movement
- Paper roll holder

CERTIFICATIONS



- Class I Medical Device. European regulation of medical devices (EU) 2017/745

→
REF. ELO3E
ELECTRIC TREATMENT TABLE



KG
max 250 kg

