

→  
REF. EL05  
ELECTRIC TREATMENT TABLE



## TECHNICAL FEATURES



3 -section table

Length:	195 cm
Width:	66 cm
Height:	50,5-94,5 cm
Weight:	77 kg
Max. Load:	250 kg
Motors:	2
Foam thickness:	5 cm
Density:	36 kg/m <sup>3</sup>
Upholstery:	PVC ● ●
Optional colors:	○ ● ● ● ● ●

## MOTOR FUNCTIONS



- Height (flat position): 50,5-94,5 cm
- Trendelenburg 25°

## MANUAL FUNCTIONS



- Headrest (-42° to +45°) inclination by gas lift
- Footrest (0° to +70°) inclination by gas lift
- Adjustable armrests

## INCLUDES



- Peripheral switch for height
- Foot controller for Trendelenburg
- Hole headrest
- 4 retractable big wheels system for easier movement
- Paper roll holder

## CERTIFICATIONS



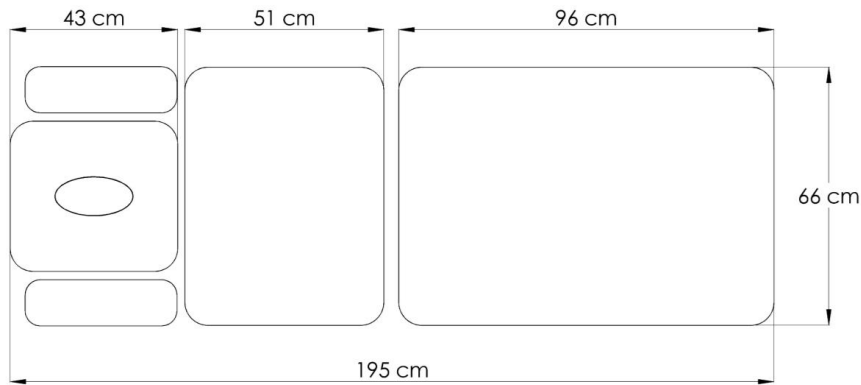
- Class I Medical Device. European regulation of medical devices (EU) 2017/745

# Lomi

→  
TECHNICAL DATA SHEET

CONFY CARE

→  
REF. EL05  
ELECTRIC TREATMENT TABLE



**KG** 250 kg  
max

