

→  
REF. EL032  
ELECTRIC TREATMENT TABLE



## TECHNICAL FEATURES



3-section table

Length:	195 cm
Width:	66 cm
Height:	48-94 cm
Weight:	61 kg
Max. Load:	225 kg
Motors:	1
Foam thickness:	5 cm
Density:	36 kg/m <sup>3</sup>
Upholstery:	MED PVC ●●

## MOTOR FUNCTIONS



- Height (flat position): 48-94 cm

## MANUAL FUNCTIONS



- Headrest (-30° to +45°) inclination by gas lift
- Adjustable armrests
- Footrest (0° to +80°) inclination by gas lift

## INCLUDES



- Peripheral switch for height
- Medical control box
- Hole headrest
- 4 retractable big wheels system for easier movement
- Paper roll holder

## CERTIFICATIONS



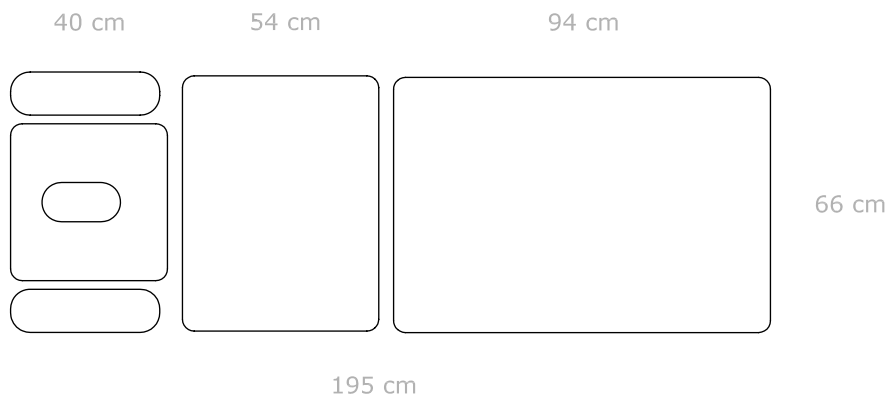
- 93/42/EEC Medical Device Directive

# Point

→  
TECHNICAL DATA SHEET

CONFYCARE

→  
REF. EL032  
ELECTRIC TREATMENT TABLE



**KG**  
max 225 kg

