

→  
**REF. HZ-3328**  
**FIXED MASSAGE BED**



## TECHNICAL FEATURES



Length: 184 cm

Width: 63 cm

Height: 77 cm

Weight: 35 kg

Max. Load: 150 kg

Upholstery: PVC ○

## MANUAL FUNCTIONS



- Backrest 50° inclination

## INCLUDES



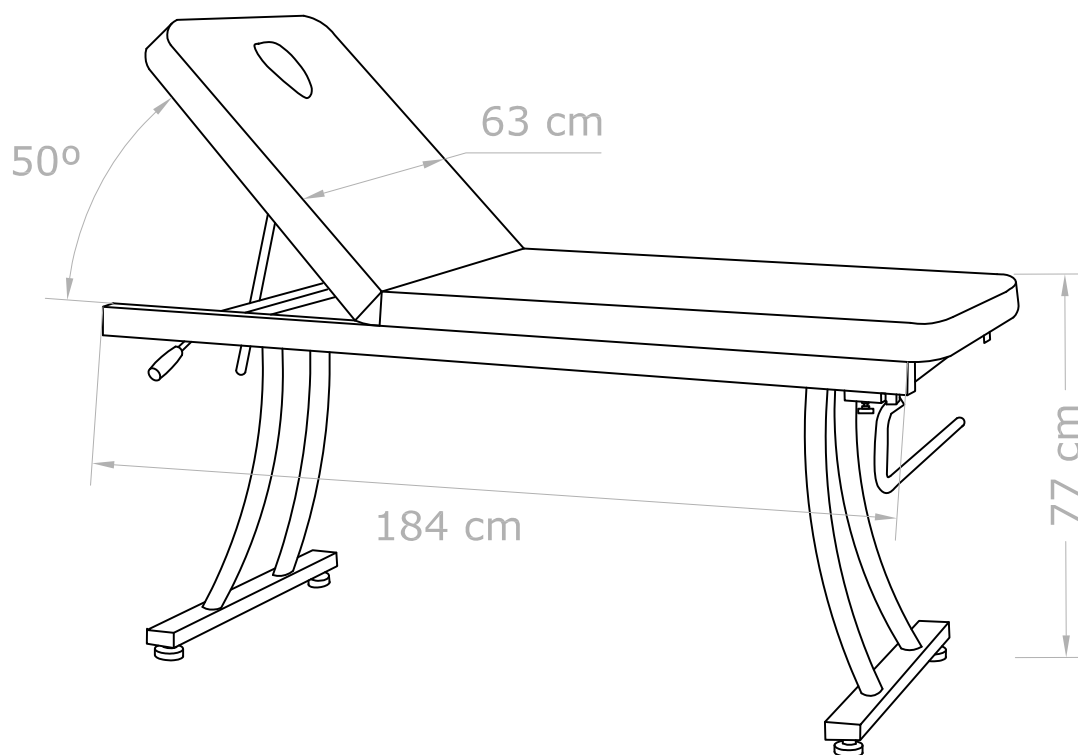
- Breather hole
- Paper roll holder

# Mulip

→  
TECHNICAL DATA SHEET

**SONIA**<sup>®</sup>  
BEAUTY CONCEPT

→  
REF. HZ-3328  
FIXED MASSAGE BED



**KG** 150 kg  
max