

→  
REF. HZ-3684A  
ELECTRIC MASSAGE BED



## TECHNICAL FEATURES



Length:	186 cm
Width:	70 cm
Height:	52-85 cm
Foam thickness:	8 cm
Weight:	55 kg
Max. Load:	150 kg
Motors:	1
Upholstery:	PVC ○ ●

## CERTIFICATIONS



- 2014/30/EU Electromagnetic Compatibility
- 2014/35/EU Low Voltage Directive

## MOTOR FUNCTIONS



- Height (flat position): 52-85 cm

## MANUAL FUNCTIONS



- Backrest 50° inclination (by gas lift)

## INCLUDES



- Hand controller
- Breather hole with cushion
- Paper roll holder

## ACCESORIES



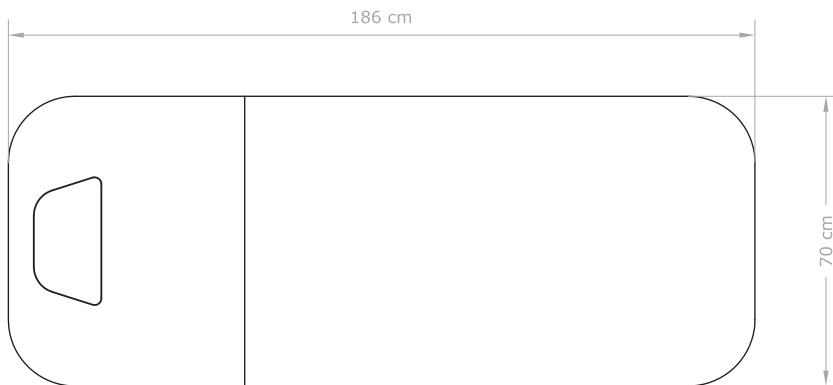
- NEB 1 Foot controller
- Bed Cover

# Seem

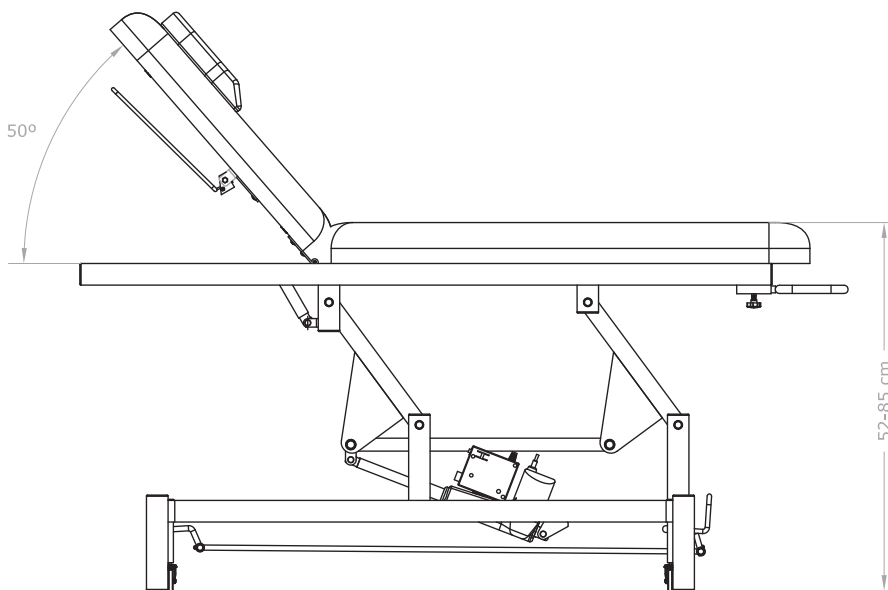
→  
TECHNICAL DATA SHEET

# vibbel

→  
REF. HZ-3684A  
ELECTRIC MASSAGE BED



 **KG**  
max 150 kg



**DDUEETT®**

C Font de la Ventaiola, 1-3 · NAU 3 BIS  
08670 Navàs · Barcelona  
T +34 937378102  
www.ddueett.com