

→
REF. HZ-3277A
FIXED MASSAGE BED



TECHNICAL FEATURES



Length: 183 cm

Width: 63 cm

Height: 75 cm

Weight: 26 kg

Max. Load: 150 kg

Upholstery: PVC ○

MANUAL FUNCTIONS



- Backrest 50° inclination

INCLUDES



- Breather hole

ACCESORIES



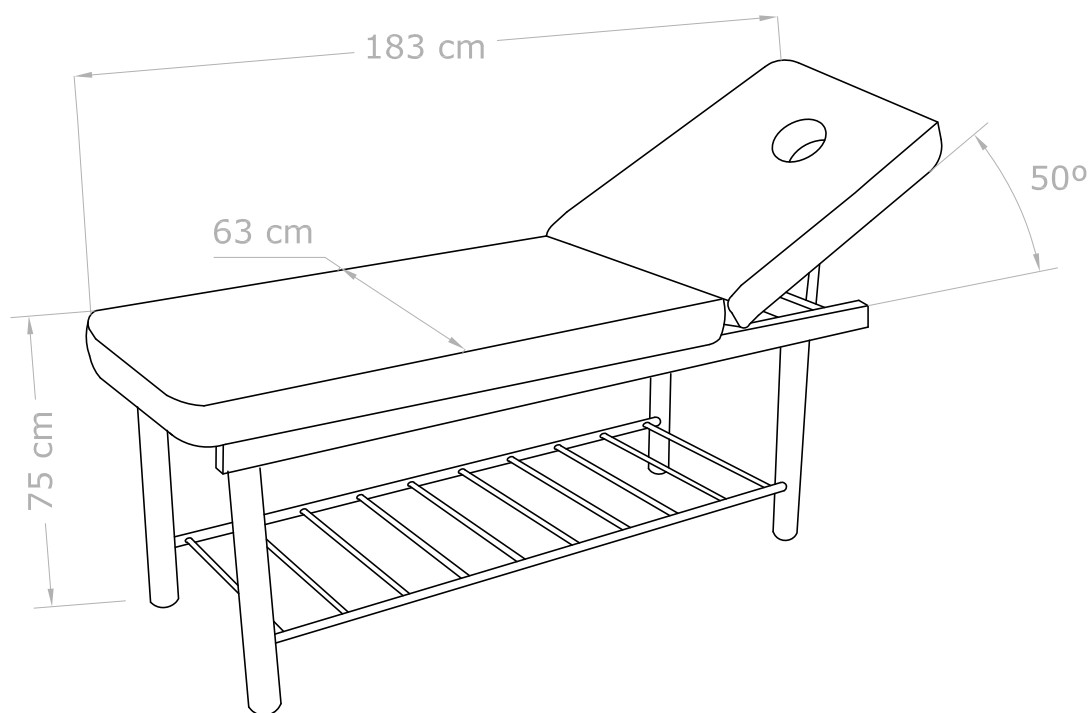
- Paper roll holder

Sirp

→
TECHNICAL DATA SHEET

SONIA[®]
BEAUTY CONCEPT

→
REF. HZ-3277A
FIXED MASSAGE BED



KG 150 kg
max

DDUUEETT[®]

C Font de la Ventaiola, 1-3 · NAU 3 BIS
08670 Navàs · Barcelona
T +34 937378102
www.dduueett.com