

Gamm Warm

sonia®
BEAUTY CONCEPT

→
TECHNICAL DATA SHEET

→
REF. HZ-3361A-3H
ELECTRIC SPA BED WITH
HEATING



TECHNICAL FEATURES

→

Length:	208 cm
Width:	87 cm
Height:	61-81 cm
Foam Thickness:	12 cm
Weight:	158 kg
Max. Load:	200 kg
Motors:	4
Upholstery:	PU ○
Wood:	●

CERTIFICATIONS

→

- 2014/30/EU Electromagnetic Compatibility
- 2014/35/EU Low Voltage Directive

MOTOR FUNCTIONS

→

- Height with 2 motors (flat position): 61-81 cm
- Backrest 70° inclination
- Footrest inclination

MANUAL FUNCTIONS

→

- Adjustable armrest

INCLUDES

→

- Heating
- Hand controller
- Breather hole
- Memory positions
- Wardrobe with 2 sliding doors
- 3 power outlets to connect accessories or work tools

ACCESSORIES

→

- Bed Cover

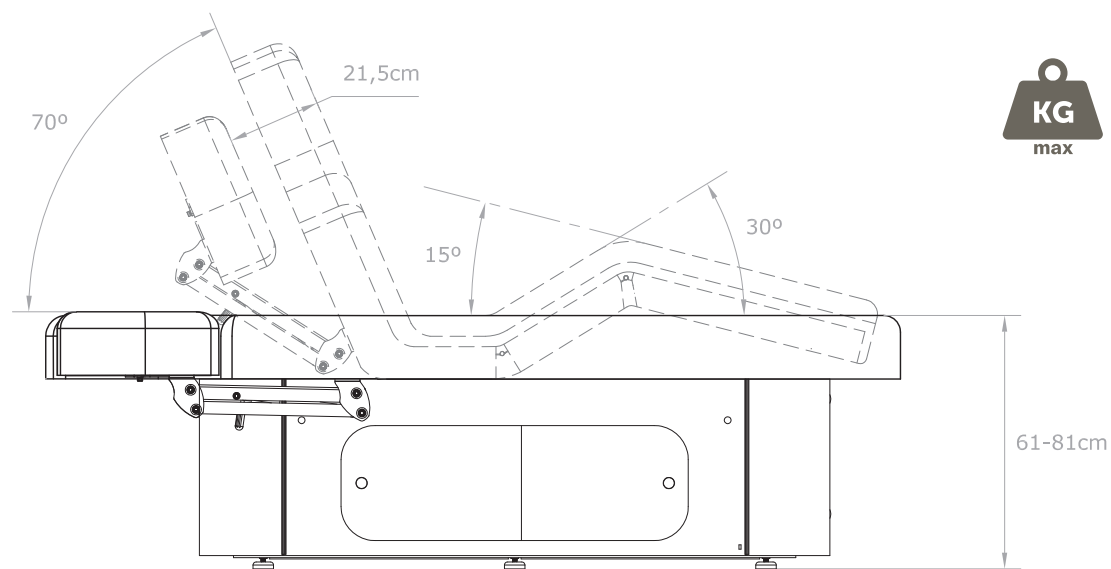
Gamm Warm

sonia®

BEAUTY CONCEPT

→
TECHNICAL DATA SHEET

→
REF. HZ-3361A-3H
ELECTRIC SPA BED WITH
HEATING



KG 200 kg
max

