

# Girta Evo

→  
TECHNICAL DATA SHEET

**sonia**<sup>®</sup>  
BEAUTY CONCEPT

→  
REF. HZ-3872E  
ELECTRIC BEAUTY BED  
WITH HEATING



## TECHNICAL FEATURES



Length:	179 cm
Width	
With armrest:	84,5 cm
Without armrest:	61 cm
Height:	61-91 cm
Weight:	70 kg
Max. Load:	200 kg
Motors:	4
Upholstery:	Stamskin Zen ○

## CERTIFICATIONS



- 2014/30/EU Electromagnetic Compatibility
- 2014/35/EU Low Voltage Directive

## MOTOR FUNCTIONS



- Height (flat position): 61-91 cm
- Trendelenburg: (15° / max. height = 100 cm / min. height = 55 cm )
- Backrest 80° inclination
- Footrest 90° inclination

## MANUAL FUNCTIONS



- Footrest, ±18 cm extendable

## INCLUDES



- "Full movement headrest" and "hole headrest "
- Hand and Foot controller
- Heating
- Airbag backrest
- LED light on the base
- Memory positions
- 2 small wheels to facilitate its mobility

## ACCESORIES



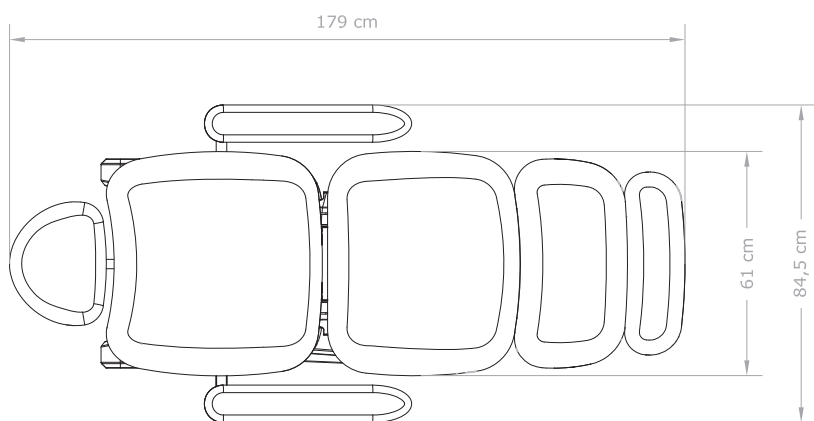
- FULU paper roll holder
- Bed Cover

# Girta Evo

→  
TECHNICAL DATA SHEET

sonia®  
BEAUTY CONCEPT

→  
REF. HZ-3872E  
ELECTRIC BEAUTY BED  
WITH HEATING



**KG** 200 kg  
max

