

Lomi Plus

CONFY CARE

→
TECHNICAL DATA SHEET

→
REF. EL05
ELECTRIC TREATMENT TABLE



TECHNICAL FEATURES

→

3 -section table

Length: 195 cm

Width: 50-66 cm

Height: 50-94 cm

Weight: 77 kg

Max. Load: 250 kg

Motors: 2

Foam thickness: 5 cm

Density: 36 kg/m³

Upholstery: PVC ●

Optional colors: ● ○ ● ● ● ● ●

MOTOR FUNCTIONS

→

- Height (flat position): 50-94 cm
- Trendelenburg 25°

MANUAL FUNCTIONS

→

- Headrest (-42° to +45°) inclination by gas lift
- Footrest (0° to +70°) inclination by gas lift
- Adjustable armrests

INCLUDES

→

- Peripheral switch for height
- Foot controller for Trendelenburg
- Hole headrest
- 4 retractable big wheels system for easier movement
- Paper roll holder
- Foldable lateral armrests

CERTIFICATIONS

→

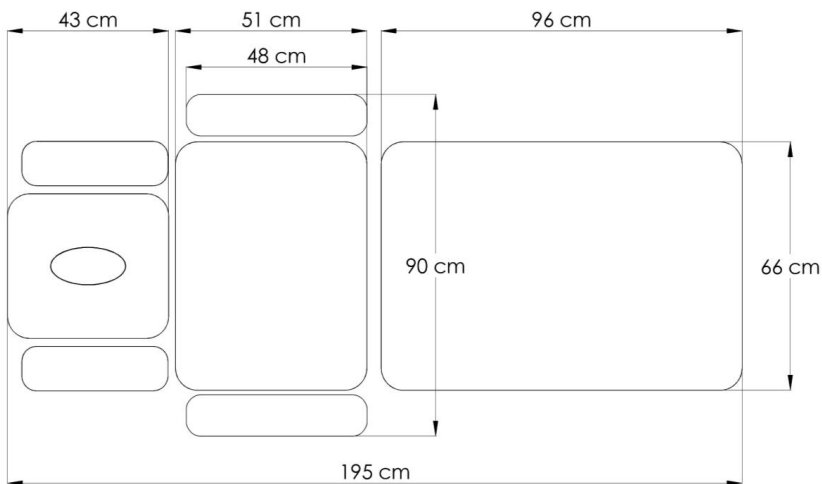
- Class I Medical Device. European regulation of medical devices (EU) 2017/745

Lomi Plus

CONFY CARE

→
TECHNICAL DATA SHEET

→
REF. EL05
ELECTRIC TREATMENT TABLE



KG 250 kg
max

