

# Lym Plus

→  
TECHNICAL DATA SHEET

CONFYCARE

→  
EL08F  
ELECTRIC CHIROPRACTIC  
DROPTABLE



## TECHNICAL FEATURES

→

7-section table

Length:	176-189 cm
Width:	54 cm
Height:	60-80 cm
Weight:	100 kg
Max. Load:	225 kg
Motors:	1
Foam thickness:	9,5 cm
Density:	36 kg/m <sup>3</sup>
Upholstery:	MED PVC ●

## CERTIFICATIONS

→

- 93/42/EEC Medical Device Directive

## MOTOR FUNCTIONS

→

- Height (flat position): 60-80 cm

## MANUAL FUNCTIONS

→

- Headrest adjustable: inclination, height and distance between 2-section
- Footrest section ±13 cm extendable and adjustable (0° to +30°) inclination
- 3 adjustable drops with pedals drive: thoracic, lumbar and pelvic.
- 1 adjustable drops with hands drive: cervical

## INCLUDES

→

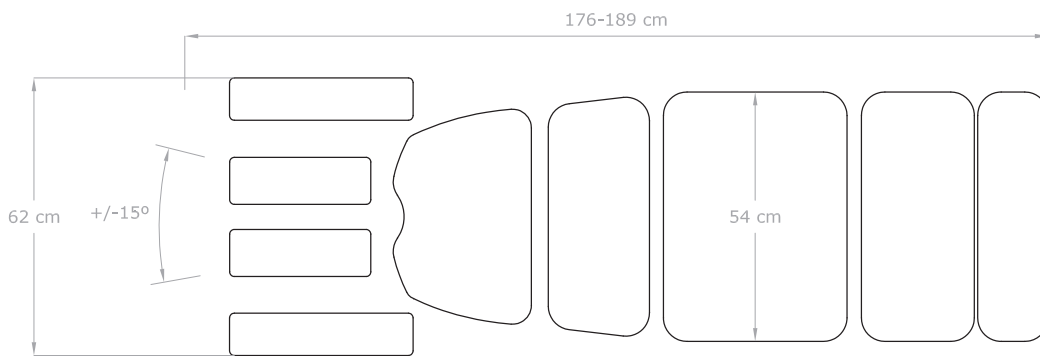
- Foot controller
- Armrests
- Paper roll holder for head section
- 2 wheels for movement
- Adjustable foot (to stabilize)

# Lym Plus

→  
TECHNICAL DATA SHEET

CONFYCARE

→  
EL08F  
ELECTRIC CHIROPRACTIC  
DROPTABLE



**KG**  
max 225 kg

