

→
REF. EL11AR
ELECTRIC TREATMENT TABLE



TECHNICAL FEATURES



Length:	195 cm
Width	
With armrest:	80 cm
Without armrest:	55 cm
Height:	48-93 cm
Weight:	65 kg
Max. Load:	225 kg
Motors:	1
Foam thickness:	5 cm
Density:	36 kg/m ³
Upholstery:	MED PVC ●

MOTOR FUNCTIONS



- Height (flat position): 48-93 cm

MANUAL FUNCTIONS



- Hole headrest & armrest (-75° to +30°) inclination

INCLUDES



- Peripheral switch for height
- Medical control box
- 4 retractable big wheels system for easier movement
- Paper roll holder
- Foldable lateral armrests

CERTIFICATIONS



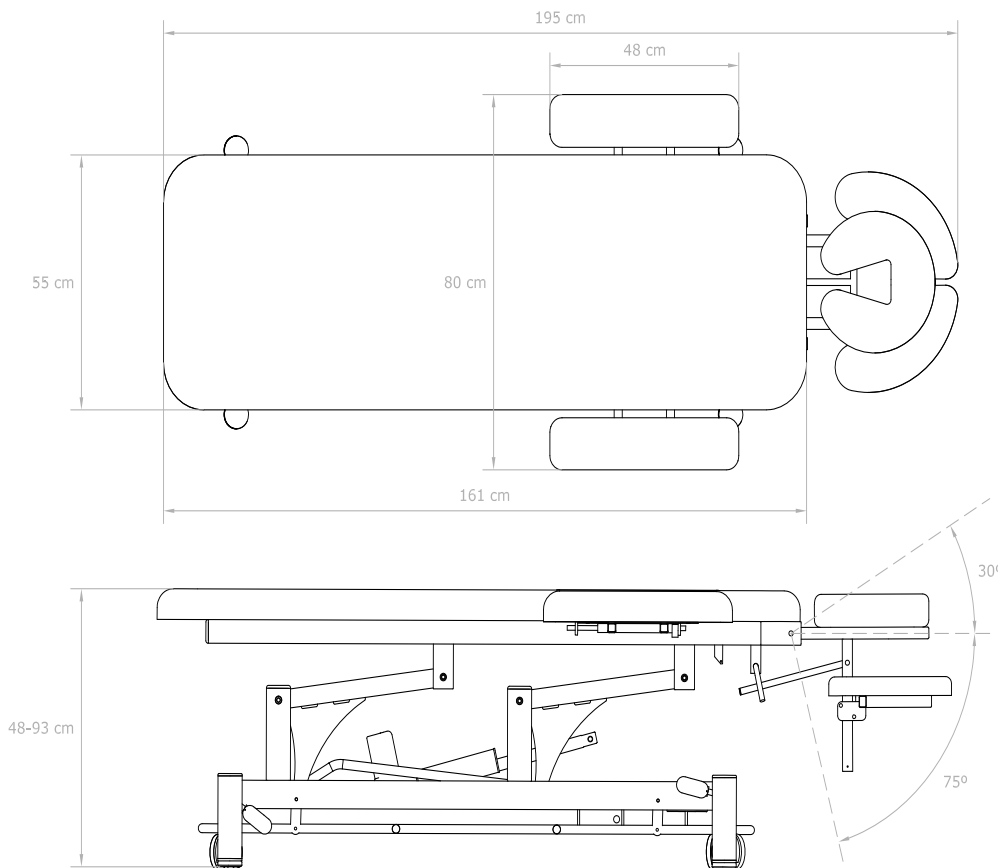
- 93/42/EEC Medical Device Directive

Shia

→
TECHNICAL DATA SHEET

CONFY CARE

→
REF. EL11AR
ELECTRIC TREATMENT TABLE



KG
max 225 kg