

Gala Table

vibbel

→
TECHNICAL DATA SHEET

→
REF. 0004781
LED MAGNIFYING LAMP
(TABLE VERSION)



TECHNICAL FEATURES

→

Power:	8 W
Frequency:	50/60 Hz
Voltage:	220-240 V
Dioptres:	5
Ø of glass:	12,7 cm
Type of light:	SMD LED 60 pcs
Weight:	3,5 kg

SPECIFICATIONS

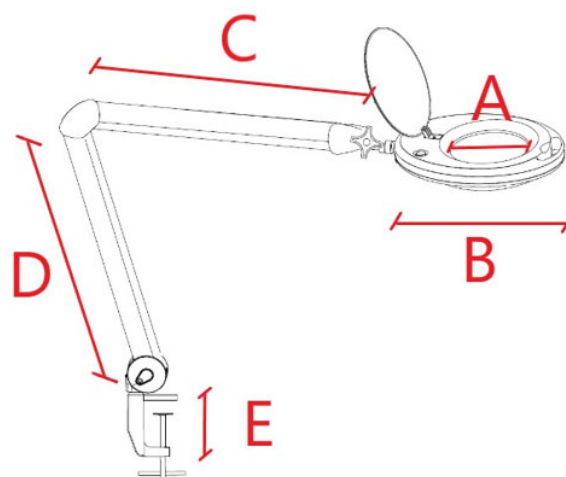
→

- Top cover
- Articulated arms with anti finger trapping
- Also Includes a clamp fo Fixed it on a table

CERTIFICATIONS

→

- 2014/35/EU Low Voltage Directive



A : 12,7 cm

B : 27 cm

C : 44 cm

D : 41 cm

E : 10 cm